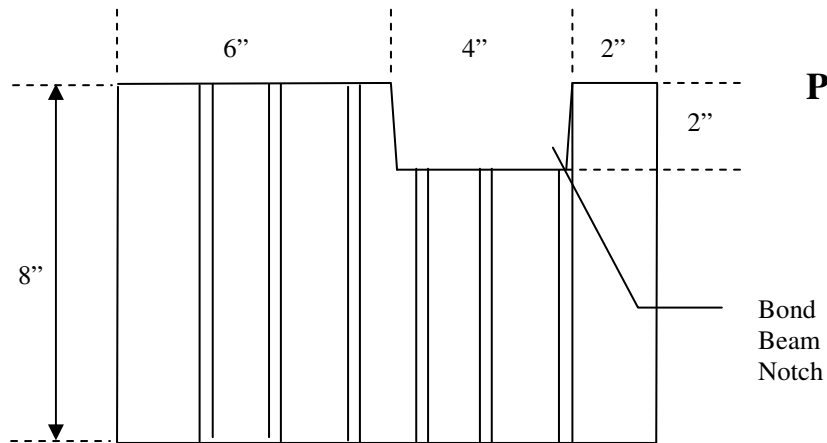
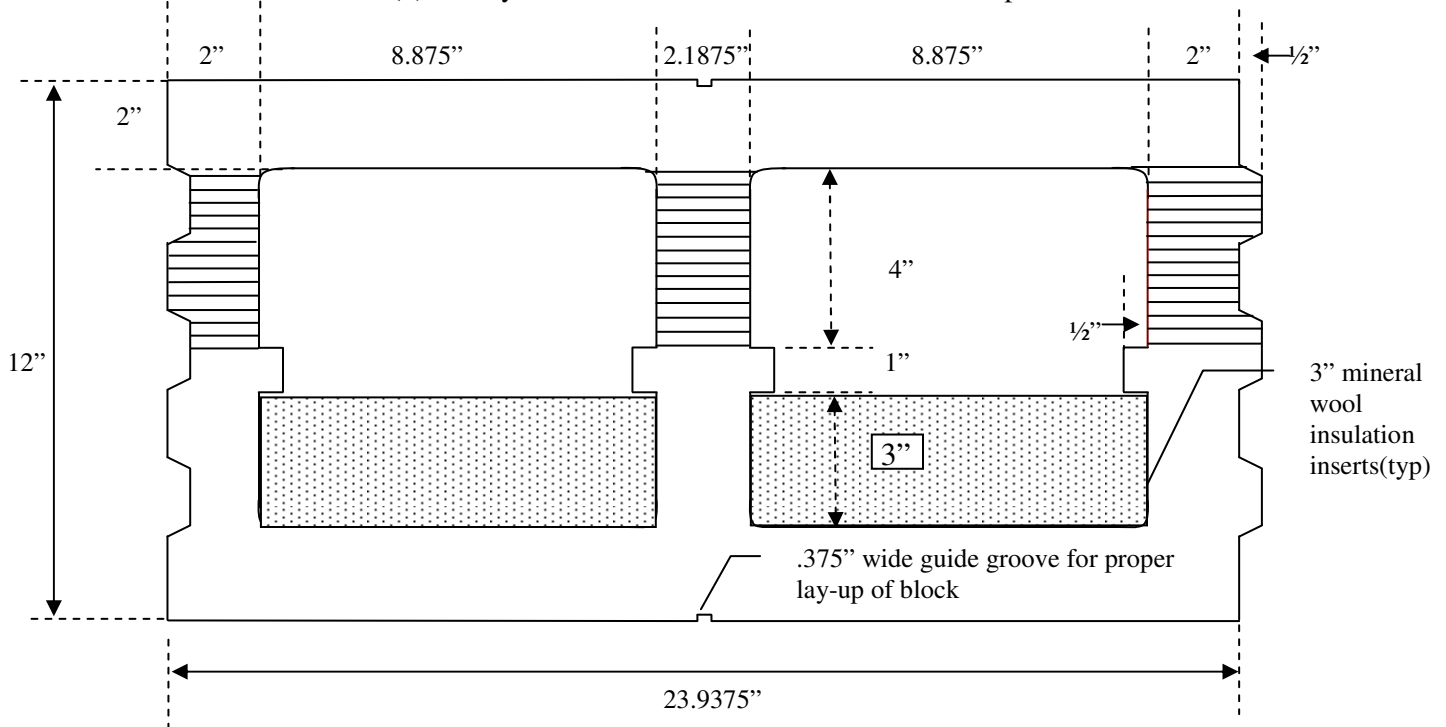


SPECIFICATION SHEET

FASWALL™ STANDARD WALL FORM-PART NO. 1224

Overall dimensions: 23.9375" long x 12" wide x 8" high (length and width dim. tolerance +/- .09375")
 Wall Area: 1.33 ft²
 Composition by volume: 85% woodchips, 15% Portland cement, fly ash, and mineral coating
 Weight: Approx. 26 lbs.
 With 3" mineral wool inserts: Approx. 28 lbs.
 R value: R-22 with 3" mineral wool inserts
 Bond Beams: (3) factory cut bond beam notches, 4" wide x 2" deep.



Part No. 1224

End View